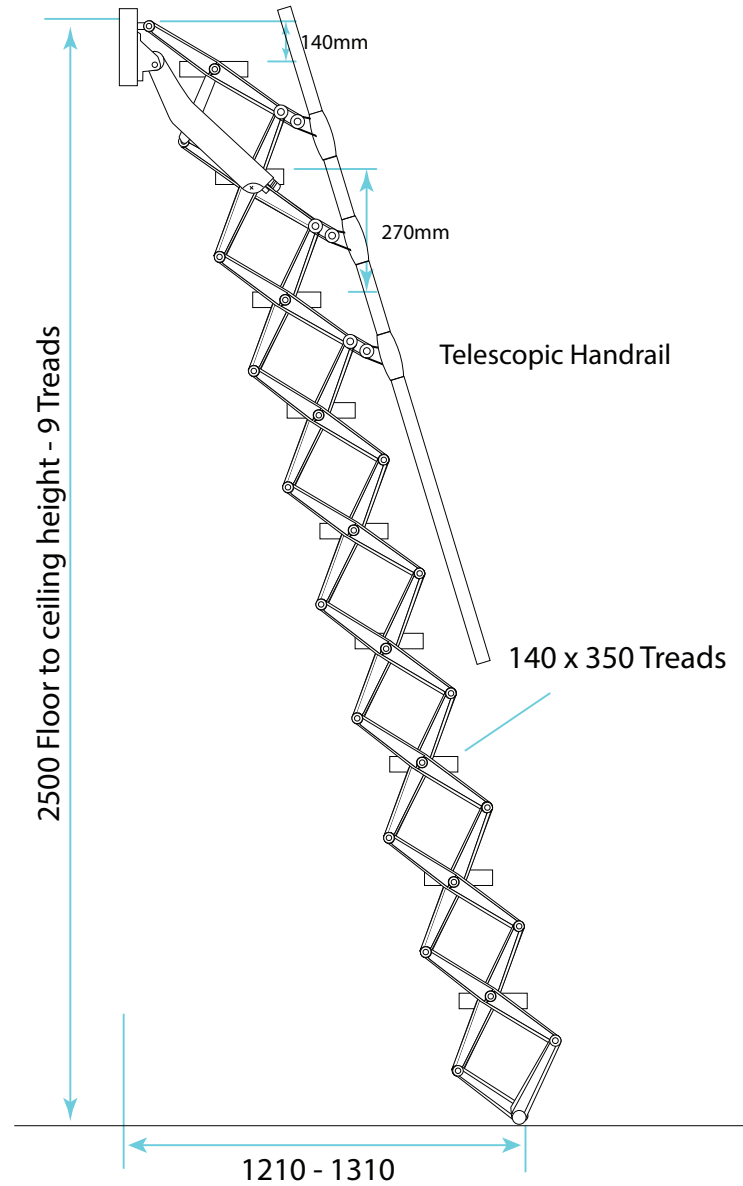
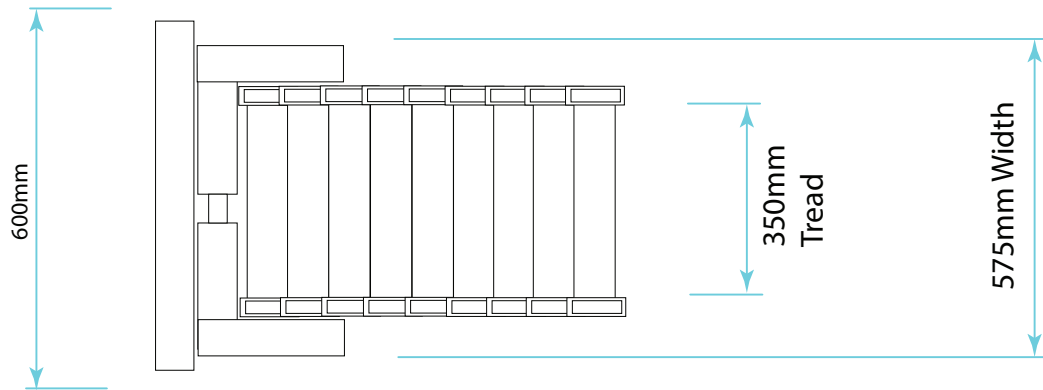
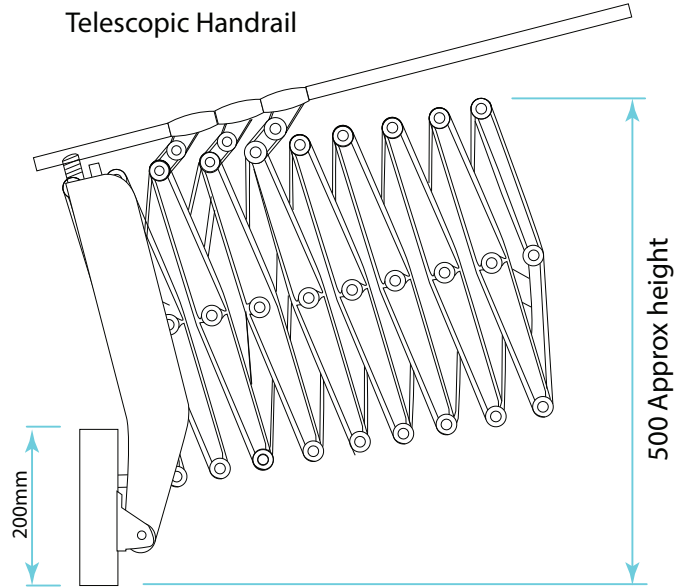


CONFIDENTIAL

INDEX	ITEM NO	ID	AMENDMENT	DATE	SIGN

Telescopic Handrail



Copyright is claimed in this drawing and no copy may be made without prior written permission	The article shown is also the subject of	
	patent rights	✓
	registered design right	✓
	unregistered rights	✓
	The drawing is a design document	✓
©	patent pending	✓

ITEM NO	NO OFF	DRG NO.	ITEM MASS	DENOMINATION	MATERIAL	REMARKS
Existing law protects SURESPAN'S right of possession to this drawing. The design or the drawing must not, without permission of the company, be published, copied, reproduced, manufactured or exploited in any other unauthorized way.				ZIP 4 Retractable Ladder 2500		
DRAWING MADE BY CAD MANUAL CHANGES PROHIBITED				CONTRACT NO.	DRAWING NO.	REV No
					ZIP4	